

DATE	SYM	REVISION RECORD	AUTH	DR

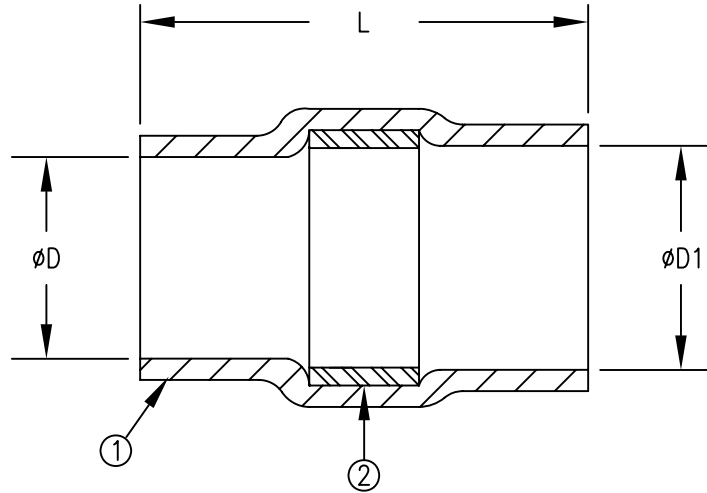


TABLE I: PRODUCT DETAILS

SUMITOMO PART NUMBER	L ± .040	øD MINIMUM	øD1 MINIMUM
E-C-1-2	.400	.075	.095

MATERIALS:

- ① INSULATION SLEEVE:  
EXPANDED, IRRADIATED, HIGH-DENSITY MODIFIED POLYOLEFIN.  
COLOR = TRANSPARENT BLUE.
- ② SOLDER PREFORM:  
ALLOY - Sn42 EUTECTIC AT 138°C. PER ANSI-J-STD-006.  
FLUX - ROM1 TYPE RA FLUX FOR SILVER OR TIN APPLICATIONS. PER ANSI-J-STD-004.

NOTES:

- 1. PLEASE REFER TO THE SUMITOMO ELECTRIC STS INSTALLATION GUIDE FOR RECOMMENDED ASSEMBLY INFORMATION.
- 2. TEMPERATURE RANGE: -55°C TO +125°C.



DIMENSIONS ARE IN INCHES			
TOLERANCES: (EXCEPT AS NOTED)			
LINEAR	ANGULAR	TITLE: SOLDER TERMINATION SLEEVE	
0.0 = N/A	0° = N/A		
0.00 = N/A	0°0' = N/A		
0.000 = N/A	0°00' = N/A	DRAWING NUMBER: E-C-1-2	
An STS PRODUCT		REV -	
DRAWN	N. CANADAY	10-31-07	
APPROVED	<i>Jon M. Mills</i>	10-31-07	
OTHER REF.	ORIG. DATE	SCALE: NONE	CAD NO. E-C-1-2
	10-31-07		SHEET 1 OF 1