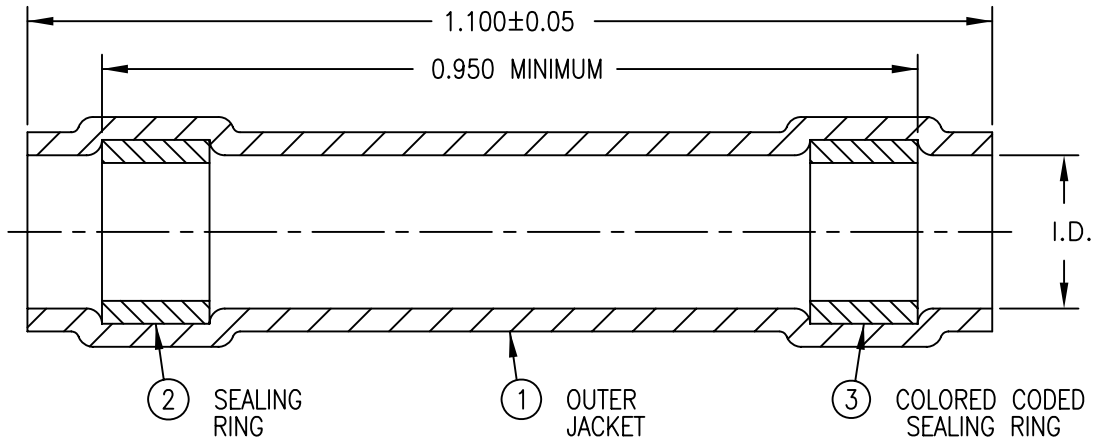
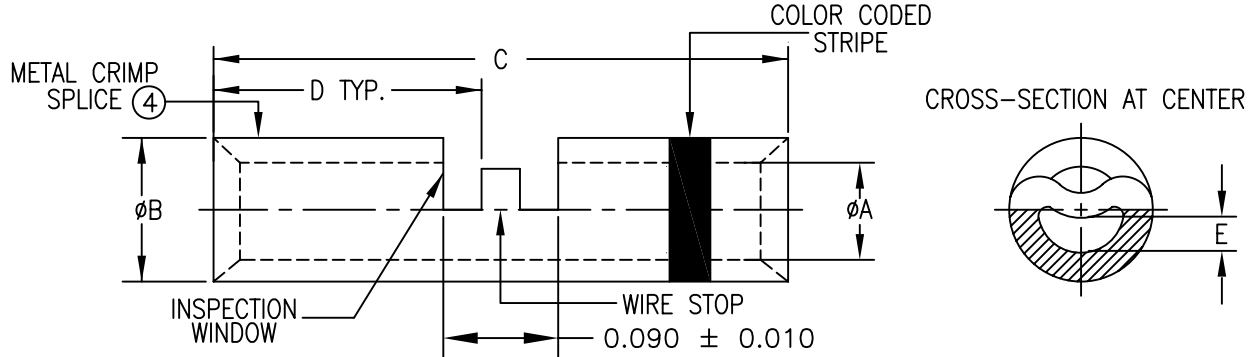


DATE	SYM	REVISION RECORD	AUTH	DR
10-01-07	A	WINDOW LENGTH ADDED	JMM	NNC



SUMITOMO PART NUMBER	MIL SPEC PART NUMBER	WIRE RANGE	I.D.	a(min) b(max)*	COLOR CODE
H-CR-436-36	AS81824/1-1	26-20	0.085	0.025*	RED
H-CR-436-37	AS81824/1-2	20-16	0.110	0.025*	BLUE
H-CR-436-38	AS81824/1-3	16-12	0.170	0.025*	YELLOW

*I.D. b MAXIMUM = THE MAXIMUM DIAMETER THROUGH THE MELTABLE SEALING RING AFTER UNRESTRICTED RECOVERY. I.D. a MINIMUM = AS RECEIVED.



SUMITOMO PART NUMBER	MIL SPEC PART NUMBER	WIRE RANGE	φA	φB	C	D	E MAX.	MAX. WEIGHT LBS./MPC	COLOR CODE
H-CR-436-36	AS81824/1-1	26-20	0.053 0.045	0.080 0.075	0.510 0.490	0.245 0.225	0.015	1.02	RED
H-CR-436-37	AS81824/1-2	20-16	0.070 0.063	0.107 0.100	0.585 0.565	0.280 0.260	0.020	1.61	BLUE
H-CR-436-38	AS81824/1-3	16-12	0.105 0.095	0.155 0.146	0.585 0.565	0.280 0.260	0.050	2.72	YELLOW

TOLERANCES

(EXCEPT AS NOTED)

DIMENSIONS ARE IN INCHES

DECIMAL = ± NA

FRACTIONAL = ± NA

ANGULAR = ± NA



TITLE: SPLICE, ELECTRIC, PERMANENT, CRIMP STYLE, COPPER INSULATED, ENVIRONMENT RESISTANT, QUALIFIED TO SAE AS81824/1 CLASS 1.

DRAWN	N.CANADAY	10-01-07
APPROVED	<i>Jon M. Mills</i>	10-01-07
OTHER REF.	SAE AS81824/1	

DRAWING NUMBER	REV
H-CR-436-XX (36-38) SAE AS81824/1	A
SCALE: NONE	CAD NO. H-CR-436-XX (36-38) SHEET 1 OF 2


DATE	SYM	REVISION RECORD	AUTH	DR
10-01-07	A	WINDOW LENGTH ADDED	JMM	NNC

MATERIALS:

1. OUTER JACKET: HEAT SHRINKABLE, RADIATION CROSSLINKED, MODIFIED POLYVINYLIDENE FLUORIDE, TRANSPARENT BLUE.
2. SEALING RING: IMMERSION RESISTANT THERMOPLASTIC, COLOR = CLEAR
3. SEALING RING: IMMERSION RESISTANT THERMOPLASTIC, COLOR = RED, BLUE OR YELLOW SEE COLOR CODE.
4. CRIMP SPLICE: BASE METAL: COPPER ALLOY 101 OR 102 PER ASTM B280.
FINISH: TIN PLATING.
COLOR CODING: PER TABLE OF DIMENSIONS.

NOTES:

- A) THESE PRODUCTS ARE TESTED AND QUALIFIED TO SAE AS81824/1 STANDARDS AND ARE LISTED ON THE QPL (CLASS I). PLEASE REFER TO THE SUMITOMO ELECTRIC STS INSTALLATION GUIDE FOR RECOMMENDED ASSEMBLY INFORMATION.
- B) THESE PARTS ARE DESIGNED TO PROVIDE IMMERSION RESISTANT IN-LINE SPLICES OF 1 TO 1 WIRES FALLING WITHIN THE SIZE RANGE LISTED IN TABLES, AND HAVING NICKEL PLATED CONDUCTORS AND INSULATIONS RATED FOR AT LEAST 135°.
- C) I.D. a=AS RECEIVED, b=AFTER UNRESTRICTED RECOVERY THRU MELTABLE MATERIAL.
- D) ALL PARTS ARE IN ACCORDANCE WITH PARAGRAPH 4.6.1 OF MIL-T-7928.
- E) PACKING AND PACKAGING SHALL BE IN ACCORDANCE WITH SECTION 5, LEVEL C, OF MIL-T-7928.

TOLERANCES (EXCEPT AS NOTED) DIMENSIONS ARE IN INCHES DECIMAL = ± NA FRACTIONAL = ± NA ANGULAR = ± NA			 SUMITOMO ELECTRIC INTERCONNECT PRODUCTS, INC.		
			TITLE: SPLICE, ELECTRIC, PERMANENT, CRIMP STYLE, COPPER INSULATED, ENVIRONMENT RESISTANT, QUALIFIED TO SAE AS81824/1 CLASS 1.		
DRAWN	N. CANADAY	10-01-07	DRAWING NUMBER		REV
APPROVED	<i>Jon M. Mills</i>	10-01-07	H-CR-436-XX (36-38) SAE AS81824/1		A
OTHER REF. SAE AS81824/1			SCALE: NONE	CAD NO. H-CR-436-XX (36-38)	SHEET 2 OF 2